



ADDENDUM NOTIFICATION NO. 1

ADDENDUM NUMBER 1

ARABY AVENUE SIDEWALK IMPROVEMENT PROJECT

CDBG No. 4.CO.17-18

CITY PROJECT ST-110

In order to confirm eligibility for the bidding process, please email this sheet with the signed confirmation to the following email address **AND** be sure to also include it in the bid package:

CITY OF COACHELLA

Engineering Department

Email: BMICHEL@COACHELLA.ORG

Received Addendum Notification No. 1 and Acknowledged by:

Company Name:

Your Name:

(Please Print)

Signature

Date:

Please call (760) 398-5744 and ask for Brianna Michel if you have any questions.



ADDENDUM NUMBER 1
ARABY AVENUE SIDEWALK IMPROVEMENT PROJECT
CDBG No. 4.CO.17-18
CITY PROJECT ST-110

DATE: April 3, 2019

TO: All Prospective Bidders and Plan Holders

The following modifications are hereby made to the Request for Bids for the above-mentioned project. The total number of pages for this addendum is 38.

I. ADDENDUM NOTIFICATION

Attached is the Addendum Notification No. 1 for the Araby Avenue Sidewalk Improvement Project. Please sign and send back (via email) for your bid to be considered responsive. Please email Brianna Michel at bmichel@coachella.org.

II. CHANGES, CORRECTIONS, CLARIFICATIONS

1. *BID FORM: Replace sheet number 11 - "Bid Form" front page only, with attached revised sheet number 11 - "Bid Form" in this addendum as Attachment 1.*
2. *PLANS AND DRAWINGS: Replace City Standard Drawing No. S-25.2, Sidewalk Transition with attached County of Riverside Standard Drawing No. 812 in this addendum as Attachment 2.*
3. *PLANS AND DRAWINGS: Add attached City of Palm Springs' Mailbox Installation Detail Drawing No. 903 incorporated into the contract documents as Attachment 3.*
4. *BID FORM: Item No. 7 Clarification – Remove and Replace Existing Driveway Approach up to the existing R/W. Driveway approach shall be minimum of 6" of 560-C-3250 PCC over 6" of Class II Aggregate Base.*
5. *PLANS AND DRAWINGS: Replace City Standard Drawing no. W-9 with attached City Standard Drawing No. W-8 as Attachment 4.*
6. *PLANS AND DRAWINGS: Add attached DFW Plastics, Inc. Specifications and Dimensions for DFW1324C4-12-4 Water Meter Box as Attachment 5.*
7. *SPECIAL FEDERAL PROVISIONS: Add the latest Davis Bacon Prevailing Wage Rate Determination, General Decision Number: CA190025 02/15/2019 CA25, included herein as Attachment 6 as a 10 day update.*

III. Questions:

1. Item No. 12 - For bidding purposes specify CalTrans Ramp Case A, B or C. Clarify ramp limits, from BCR to ECR or inside grooves only? Are these the NE and SE ramps in Shady Ln presented in project walk?

Response: Existing ADA Ramps shall be removed from BCR to ECR. Construct New ADA Ramps per Caltrans Std. Plan RSP A88A Case "C" and install Wet set Yellow Truncated Panels per CALDAG. Contractor shall sawcut, remove and replace existing curb at "Spandrel" Flow Line. New Curb shall be constructed to meet Caltrans Std. Plan RSP A88A Case "C" and CALDAG requirements. All removals shall be field verified with contract and City representative. The ramps in question will be on the NE and NW corners of Araby Avenue that were presented in the Site Walk.

2. Item No. 5 – Sidewalk detail S-25.1 and S-25.3 keynote 6 states sidewalk is to be placed on 2" sand/ 10 mil visqueen. Please confirm no aggregate base is required under sidewalk.

Response: Class II Aggregate Base is "NOT" required under sidewalk which is "NOT" exposed to vehicular traffic. Class II Aggregate Base is required under sidewalk exposed to vehicular traffic (i.e. driveway).

3. Item Nos. 9 and 10 – Please confirm contractor will furnish AND install water meter boxes only, heavy gauge post and mail boxes. Please provide mailbox and post standard detail.

Response: Item No. 9 – Contractor shall provide and install new water meter boxes per City Std. W-8 (Attachment 4) and Attachment 5. Contractor shall remove and replace existing Water Meter Box, grade in and around water meter box, compact, grade and set water meter box to match existing/new sidewalk. Contractor shall repair or replace water meter damaged by Contractor's operation. Contractor shall immediately notify City representative if a water meter is damaged or in need of repair.

Item No. 10 – Contractor shall remove existing mailbox and replace with USPS (City shall review submittal) "Heavy Duty" Steel Mailbox with Post. Mailbox shall be set in concrete. "Heavy Duty" Steel Mail Box and Post are typically available at a Home Improvement Supply. Contractor shall provide submittals for approval prior to purchase. Refer to the Mailbox Installation Detail Drawing No. 903 included in the addendum as Attachment 3.

4. Item No. 8 – How far out from existing curb and gutter lip will roadway have to be R&R? A 12" wide section is typical. Please clarify, provide section detail or description.

Response: Roadway to be removed shall be a minimum of 18" from lip of gutter. Roadway shall be neatly sawcut and removed. Compact and replace Class II Aggregate Base and repave Roadway at new curb and gutter construction. Minimum Roadway section is 4" of PG-70-10 HMA over 6" of compacted Class II Base.

5. Item No. 9 - Please provide model #/dimensions/specs required for water meter box.

Response: Meter Box shall be per City of Coachella Standard W-8 (Attachment 4). Please refer to Attachment 5 for model # and specifications of water meter box.

6. Item No. 1 - Provisions and technical specs page 172 states "Contractor shall apply and install project construction signs mounted in an acceptable manner." What is meant to by "apply"? Please clarify who will furnish (2 ea.) city project and (2 ea.) CDBG signs.

Response: Please refer to pg. 78, Article 67 of the General Conditions. For Projects \$25,000 or over the Contractor shall provide two (2) City Project sign boards and two (2) CDBG Project sign boards to be located as directed by the Owner. The sign boards shall be mounted in an acceptable manner and constructed as shown and specified in Exhibit 1 and Exhibit B-3. Additional information can be added to the project sign at the request of the project sponsor.

The Bidder is hereby notified; Addendum No. 1 must be acknowledged as stipulated under Section "INSTRUCTIONS TO BIDDERS", ADDENDA OR BULLETINS, and submitted as part of the Bid. Failure to do so shall result in the City designating said bid as "Non-Responsive".

APPROVED:



Brianna Michel, Assistant Engineer

BIDDER ACKNOWLEDGMENT:

Signature acknowledging receipt of Addendum No. 1

Printed Name & Date

Company

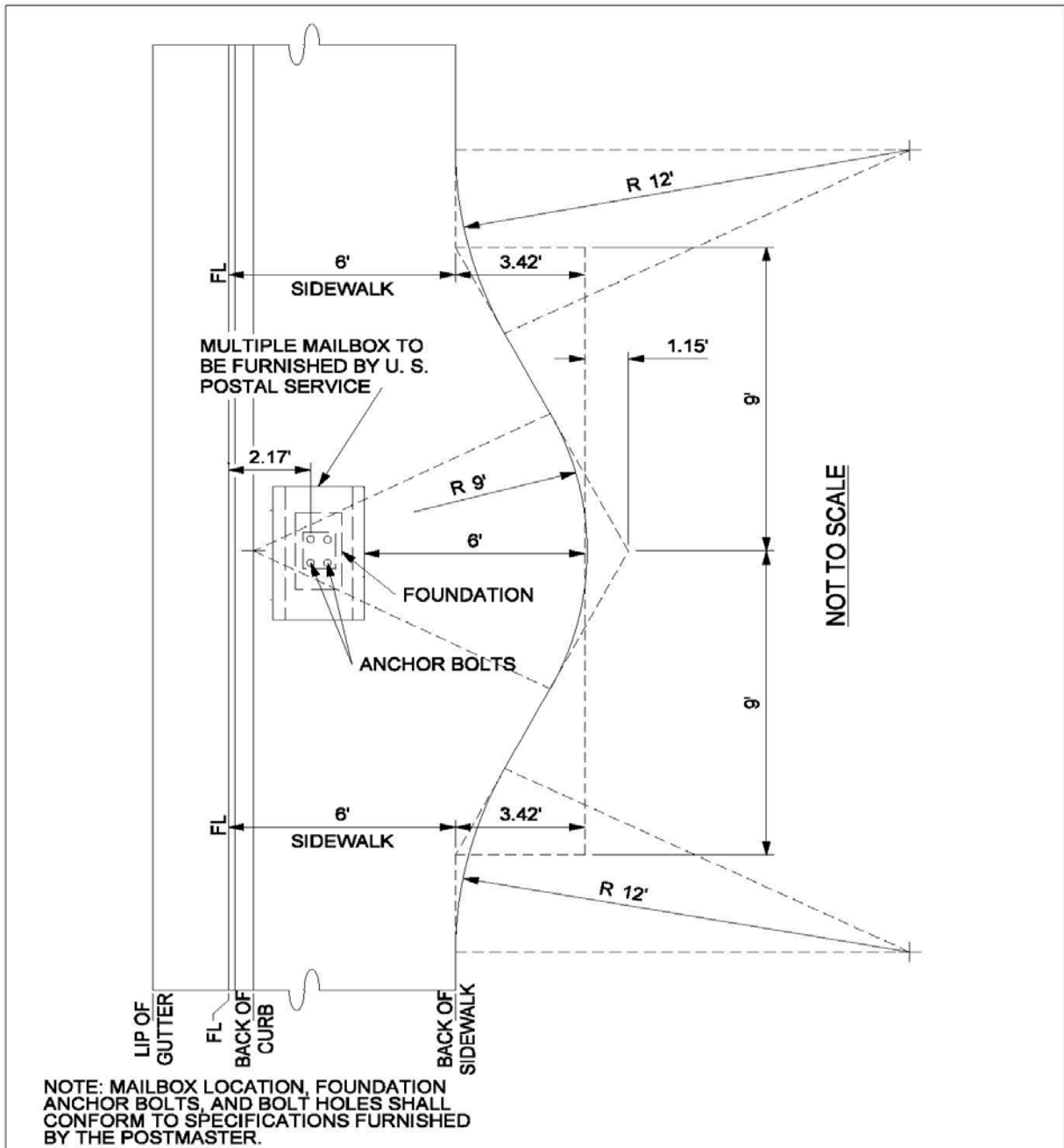
BID FORM**NAME OF BIDDER:** _____

The undersigned, hereby declare that we have carefully examined the location of the proposed Work, and have read and examined the Contract Documents, including all plans, specifications, and all addenda, if any, for the following Project:

ST-110 Araby Avenue Sidewalk Improvement Project**BID FORM**

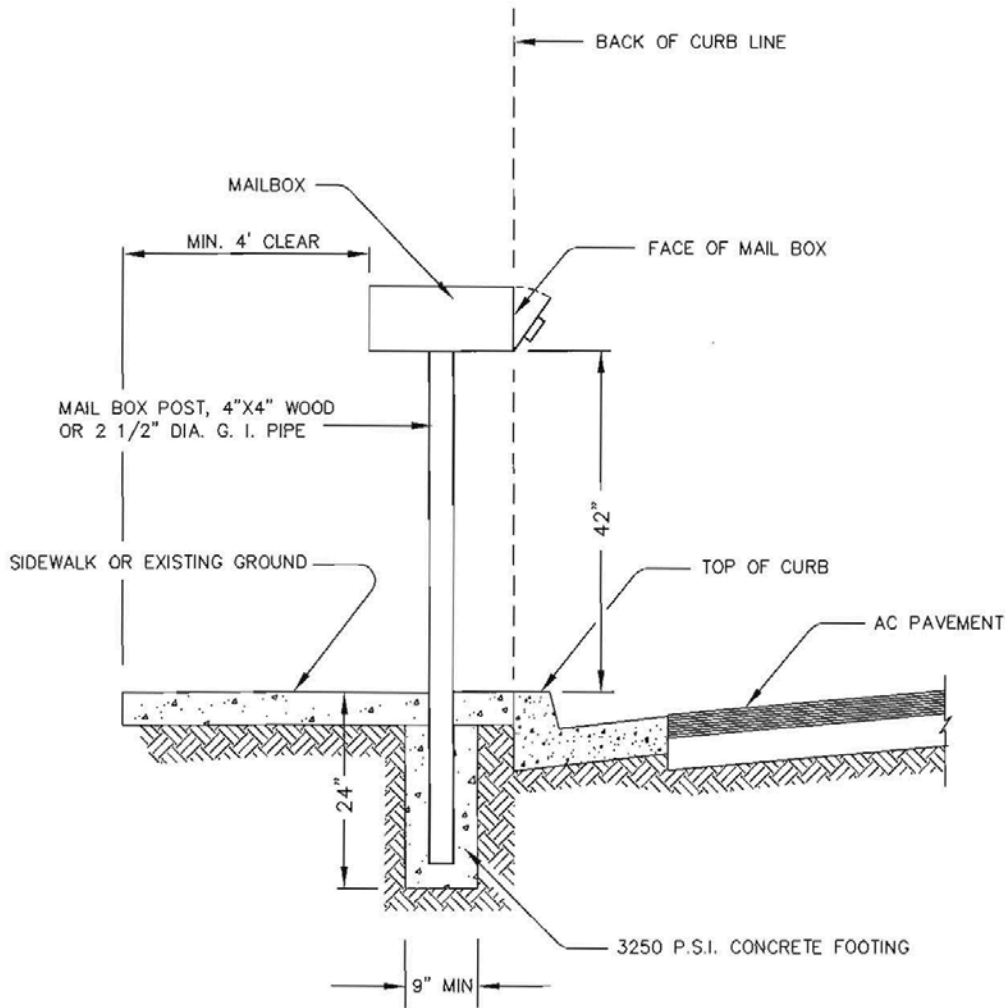
ITEM NO.	DESCRIPTION	ESTIMATED QUANTITY	UNIT	UNIT PRICE	TOTAL AMOUNT
1	Mobilization.	1	LS		
2	Traffic Control & Public Notification.	1	LS		
3	PM-10 Wash Out, B.M.P.'S & Trash Bends.	1	LS		
4	Tree Shrub Removal And Clear And Grub Ten Plus Trees and Variety of Shrubs.	1	LS		
5	Construction Of 4" x 4'-6" Sidewalk, STD. DRWG. S-25.1 and County of Riverside Standard No. 812. Grade for new sidewalk at 2% cross fall, compact, install 10 ml visqueen, form and pour Concrete 560-C-3250. Sidewalk shall be 4'-6" including the top of curb 5' wide. Contractor shall remove and dispose of native material at approved location outside City limits. Grading shall be incidental and included in the cost of sidewalk construction.	6,000	SF		
6	Demolition, Removal, Replace and Relocate Existing Chain Link fencing, block/brick pilasters, concrete and all Construction Debris as Directed by City Representative, and per plans Exhibit.	1	LS		
7	Remove and Replace Existing Driveway Approach per City Standard Drawing S-19.1 up to R/W.	17	EA		
8	R&R Existing Curb and Gutter per City Standard Drawing S-7. Roadway to be removed a minimum of 18" from lip of gutter. Roadway shall be neatly sawcut and removed. Compact and replace 6" Class II Aggregate Base and repave roadway at new curb and gutter construction. Minimum roadway section is 4" of PG 70-10 HMA.	500	LF		
9	R&R City Water Meter Boxes per City Standard Drawing W-8. Contractor to furnish and install DFW Plastics DFW1324C4-12-4 Water Meter Boxes.	22	EA		
10	R&R Mail Boxes W/ New "Heavy Duty" gauge post and USPS approved Mail Box per Mailbox Installation Drawing No. 903.	22	EA		
11	Remove, relocate and construct new landscape irrigation.	22	EA		
12	Remove and Replace Pedestrian Ramp Per Caltrans Std. Plans Detail RSP A88A Case C with Wet Set Yellow Truncated Panels Per CALDAG ADA Standards. R&R curb at spandrel.	2	EA		

BID FORM



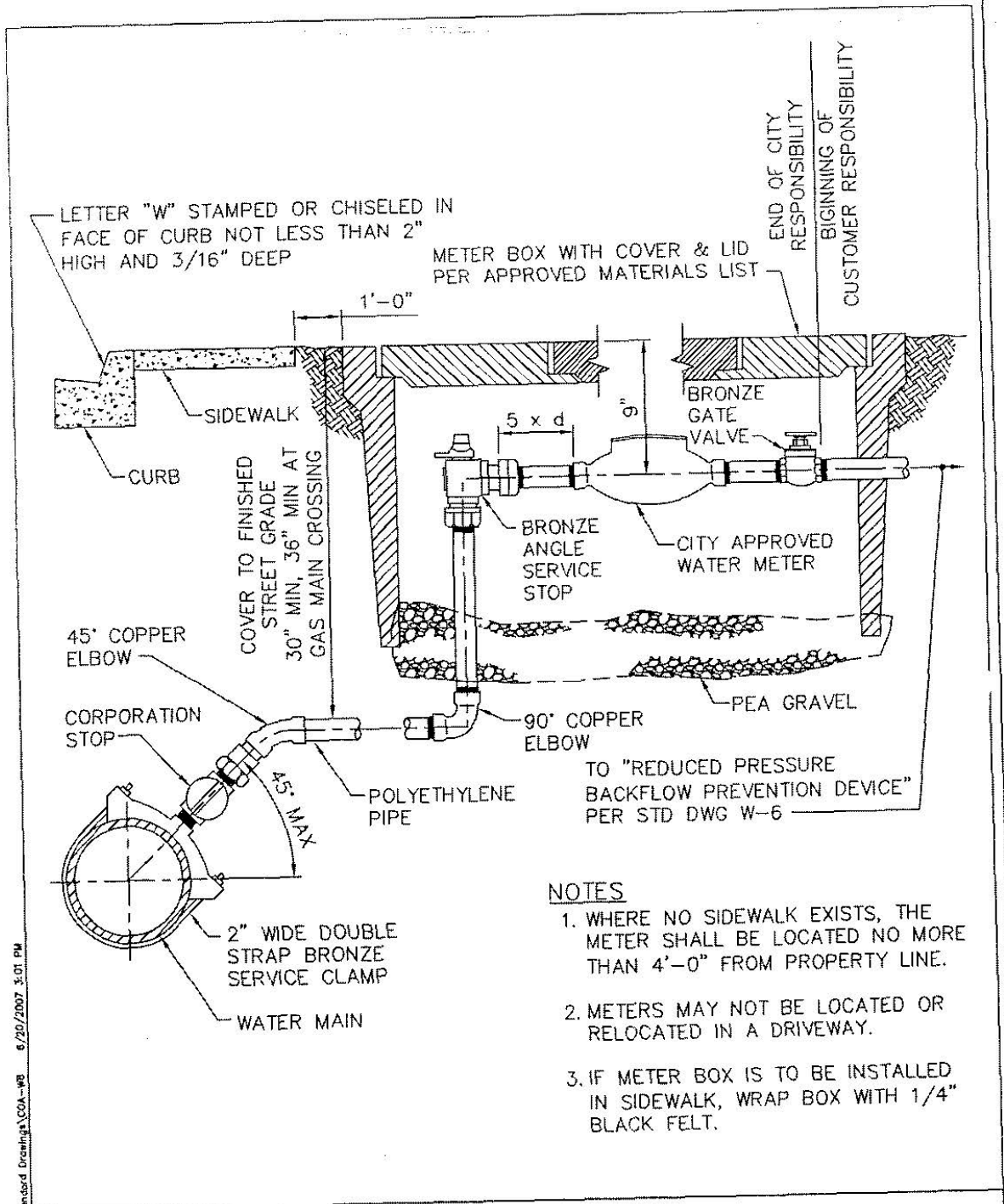
APPROVED BY:								COUNTY OF RIVERSIDE	
								DATE: 05/01/07	
REVISIONS	REV.	BY:	APR'D	DATE	REV.	BY:	APR'D	DATE	
	1				4				
	2				5				
	3				6				
								STANDARD NO. 812	

NO.	REVISIONS	APPROVED	DATE



NOTE:
MAILBOX SHOULD BE VERTICAL

<p>CITY OF PALM SPRINGS PUBLIC WORKS & ENGINEERING DEPARTMENT</p>	<p>APPROVED: <i>[Signature]</i> DATE: 12/15/07</p>	<p>28931</p>
	<p>CITY ENGINEER</p>	<p>R.C.E.</p>
<p>MAILBOX INSTALLATION DETAIL</p>	<p>DRAWN BY: G.F.F.</p>	<p>FILE NO. STANDARDS</p>
	<p>CHECKED BY: M.L.F.</p>	<p>DWG. NO. 903</p>



- NOTES**
1. WHERE NO SIDEWALK EXISTS, THE METER SHALL BE LOCATED NO MORE THAN 4'-0" FROM PROPERTY LINE.
 2. METERS MAY NOT BE LOCATED OR RELOCATED IN A DRIVEWAY.
 3. IF METER BOX IS TO BE INSTALLED IN SIDEWALK, WRAP BOX WITH 1/4" BLACK FELT.

CITY OF COACHELLA

APPROVED:

[Signature]


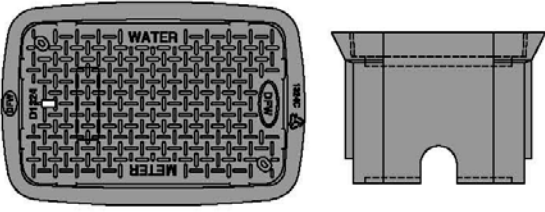
RCE 24870 EXP. 12/31/07

REVISION	APPROVED	DATE

**STANDARD WATER SERVICE
(UNDER 2")**

STANDARD DRAWING ..
W-8
JUNE 2007

W:\PUB\K\STDS NEW DUDEX\Standard Drawing\COA-W-8 6/20/2007 3:01 PM

 <p>DFW PLASTICS, INC.</p> <p>PO Box 648 Bedford, Texas 76095 Tel: 817.439.3600 Fax: 817.439.3700 www.dfwplasticsinc.com</p>	
<p>DFW1324C4-12-4</p>	<p>13x24x12 Gray Polymer Box w/ Solid Gray Polymer Lid</p>

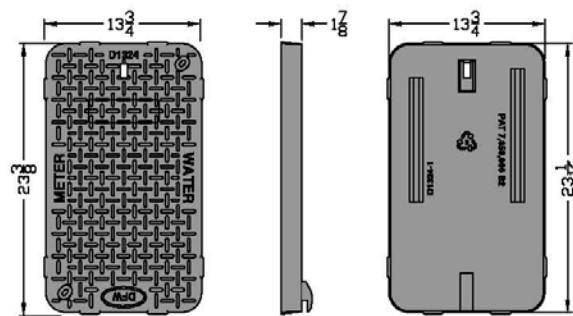
This product is designed to withstand loading in non-deliberate and incidental traffic. Not to be installed in roadway. Meter box lid shall be GRAY and constructed out of modified polyethylene material for maximum durability and corrosion resistance. The GRAY material is for maximum UV protection. The GRAY material shall be uniform throughout the meter box lid for maximum longevity and **not have a foaming agent that creates air pockets within the polymer lid.**

Vertical and Lateral Load Rating:

- Compliant with AASHTO, Design Load of H-10; ASTM C 857-12a, Design Load of A-8, 8,000 lbs. transferred through a 10" x 10" steel plate centered in the cover and body.
- Compliant with AASHTO, Design Load of H-20; ASTM C 857-12a, Design Load of A-16, 16,000 lbs. transferred through a 10" x 20" steel plate centered on the cover and body.
- This product is designed to withstand H-10 and H-20 loading in non-deliberate or incidental traffic areas.
NOT INTENDED TO BE INSTALLED IN ROADWAYS.

Polymer Lid

- The polymer lid shall have a molded finger hole - *as illustrated.*
- The polymer lid shall seat securely and evenly inside the meter box and shall not overlap the top edge of the meter box.
- The polymer lid shall have molded **tread-pattern** for skid resistance - **tread dimensions shall be 0.188" x 0.938" x 0.150" deep.**
- The polymer lid shall have "WATER METER" molded - **Font shall be Std Fadal CNC Font with 1" characters x 0.150" deep.**
- The polymer lid shall retrofit existing concrete meter boxes with similar dimensions and be able to adjust in the field.
- The polymer lid shall be GRAY and have a molded recycled emblem with a minimum of 50% Post Consumer Recycled and 50% Post Industrial/ Pre Consumer Recycled Content- **Verified with a Leed Product Documentation.**
- The polymer lid shall be DFW Plastics Inc, **MADE IN USA.** - Domestic Only.



DFW1324C-4-LID

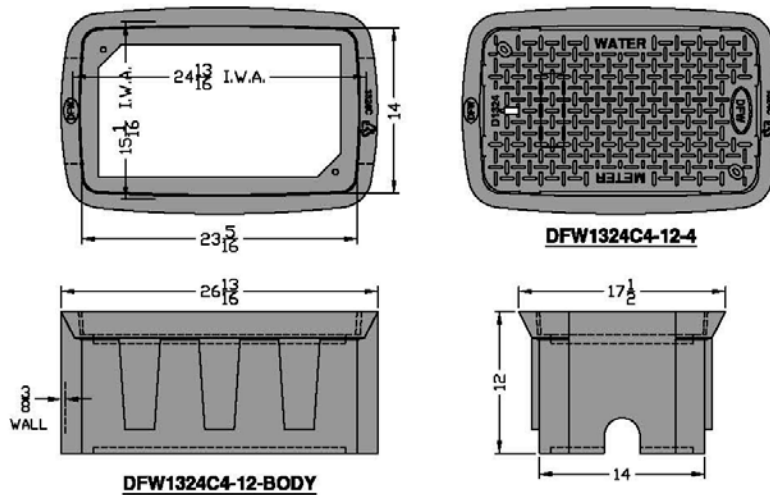
This product is designed to withstand loading in non-deliberate and incidental traffic. Not to be installed in roadway. The meter box shall be GRAY and constructed out of modified polyethylene material for maximum durability and corrosion resistance. The GRAY material is for maximum UV protection. The GRAY material shall be uniform throughout the meter box for maximum longevity and not have a foaming agent that creates air pockets within the polymer wall.

Vertical and Lateral Load Rating:

- Compliant with AASHTO, Design Load of H-10; ASTM C 857-12a, Design Load of A-8, 8,000 lbs. transferred through a 10" x 10" steel plate centered in the cover and body.
 - Compliant with AASHTO, Design Load of H-20; ASTM C 857-12a, Design Load of A-16, 16,000 lbs. transferred through a 10" x 20" steel plate centered on the cover and body.
 - This product is designed to withstand H-10 and H-20 loading in non-deliberate or incidental traffic areas.
- NOT INTENDED TO BE INSTALLED IN ROADWAYS.**

Polymer Body

- The polymer body shall be GRAY and have a minimum of 3/8" wall thickness - *as illustrated.*
- The polymer body shall have minimum inside working room of (24 13/16" x 13 1/4") - *as illustrated.*
- The polymer body shall have crush resistant ribbing along the outside of the box.
- The polymer body shall have a flange around the lid opening to help prevent settling and aide in the adjustment to grade.
- The polymer body shall have one pipe slot molded on each end of the body that measures (3" x 4").
- The polymer body shall have a 1/2" bow centered on side wall to resist backfilling.
- The polymer body shall have molded lift structures to aid in adjustment - *as illustrated in Section A-A.*
- The polymer body shall have a molded recycled emblem with a minimum of 35% Post Industrial/ Pre Consumer Recycled Content - Verified with a **Leed Product Documentation.**
- The polymer body shall be DFW Plastics Inc., **MADE IN USA.** - Domestic Only.

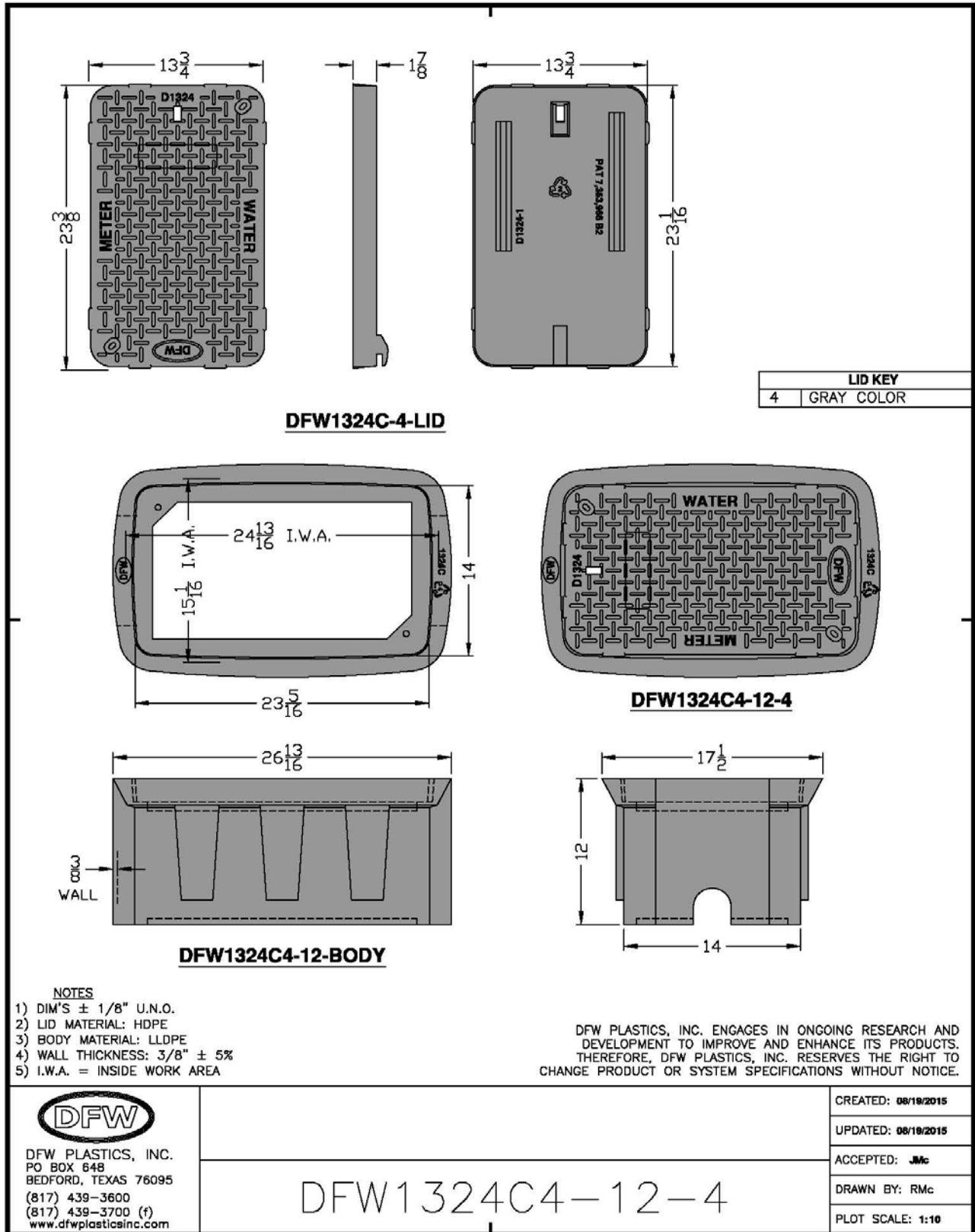


Meter Box shall be C Series by DFW Plastics, Inc. or an approved equal. All Specs are subject to change without notice.

Part No.	Series	Size	Height	Width	Length
DFW1324C4-12-BODY	1324C	13" x 24"	12"	Top - 17-1/2"	Top-26-13/16"
DFW1324C4-12-4	1324C	13" x 24"	12"	Base - 14"	Base-26-13/16"
DFW1324C-4-LID	1324C	13" x 24"	1-7/8"	13-3/4"	23-3/8"

Single Service Box for 1 1/2" & 2" Meters
File: Submittal - DFW1324C4-12-4
Rev. A August 2015

Submitted by:



General Decision Number: CA190025 02/15/2019 CA25

Superseded General Decision Number: CA20180036

State: California

Construction Types: Building, Heavy (Heavy and Dredging) and Highway

County: Riverside County in California.

BUILDING CONSTRUCTION PROJECTS; DREDGING PROJECTS (does not include hopper dredge work); HEAVY CONSTRUCTION PROJECTS (does not include water well drilling); HIGHWAY CONSTRUCTION PROJECTS

Note: Under Executive Order (EO) 13658, an hourly minimum wage of \$10.60 for calendar year 2019 applies to all contracts subject to the Davis-Bacon Act for which the contract is awarded (and any solicitation was issued) on or after January 1, 2015. If this contract is covered by the EO, the contractor must pay all workers in any classification listed on this wage determination at least \$10.60 per hour (or the applicable wage rate listed on this wage determination, if it is higher) for all hours spent performing on the contract in calendar year 2019. If this contract is covered by the EO and a classification considered necessary for performance of work on the contract does not appear on this wage determination, the contractor must pay workers in that classification at least the wage rate determined through the conformance process set forth in 29 CFR 5.5(a)(1)(ii) (or the EO minimum wage rate, if it is higher than the conformed wage rate). The EO minimum wage rate will be adjusted annually. Please note that this EO applies to the above-mentioned types of contracts entered into by the federal government that are subject to the Davis-Bacon Act itself, but it does not apply to contracts subject only to the Davis-Bacon Related Acts, including those set forth at 29 CFR 5.1(a)(2)-(60). Additional information on contractor requirements and worker protections under the EO is available at www.dol.gov/whd/govcontracts.

Modification Number	Publication Date
0	01/04/2019
1	02/01/2019
2	02/15/2019

ASBE0005-002 07/01/2018

Rates	Fringes
-------	---------

Asbestos Workers/Insulator
(Includes the application of

all insulating materials, protective coverings, coatings, and finishes to all types of mechanical systems).....	\$ 39.72	20.81
Fire Stop Technician (Application of Firestopping Materials for wall openings and penetrations in walls, floors, ceilings and curtain walls).....	\$ 27.92	18.31

ASBE0005-004 07/02/2018

	Rates	Fringes
Asbestos Removal worker/hazardous material handler (Includes preparation, wetting, stripping, removal, scrapping, vacuuming, bagging and disposing of all insulation materials from mechanical systems, whether they contain asbestos or not)....	\$ 19.93	11.72

BOIL0092-003 03/01/2018

	Rates	Fringes
BOILERMAKER.....	\$ 44.07	33.52

* BRCA0004-011 05/01/2018

	Rates	Fringes
BRICKLAYER; MARBLE SETTER.....	\$ 40.39	13.65

*The wage scale for prevailing wage projects performed in Blythe, China lake, Death Valley, Fort Irwin, Twenty-Nine Palms, Needles and 1-15 corridor (Barstow to the Nevada State Line) will be Three Dollars (\$3.00) above the standard San Bernardino/Riverside County hourly wage rate

BRCA0018-004 07/01/2017

	Rates	Fringes
MARBLE FINISHER.....	\$ 30.93	12.95
TILE FINISHER.....	\$ 25.98	11.23
TILE LAYER.....	\$ 37.76	16.37

BRCA0018-010 09/01/2017

	Rates	Fringes
TERRAZZO FINISHER.....	\$ 29.75	12.91
TERRAZZO WORKER/SETTER.....	\$ 36.75	13.82

CARP0409-001 07/01/2018

	Rates	Fringes
CARPENTER		
(1) Carpenter, Cabinet Installer, Insulation Installer, Hardwood Floor Worker and acoustical installer.....	\$ 41.84	19.17
(2) Millwright.....	\$ 42.91	19.17
(3) Piledrivermen/Derrick Bargeman, Bridge or Dock Carpenter, Heavy Framer, Rock Bargeman or Scowman, Rockslinger, Shingler (Commercial).....	\$ 42.54	19.17
(4) Pneumatic Nailer, Power Stapler.....	\$ 40.09	19.17
(5) Sawfiler.....	\$ 39.83	19.17
(6) Scaffold Builder.....	\$ 31.60	19.17
(7) Table Power Saw Operator.....	\$ 40.93	19.17

FOOTNOTE: Work of forming in the construction of open cut sewers or storm drains, on operations in which horizontal lagging is used in conjunction with steel H-Beams driven or placed in pre- drilled holes, for that portion of a lagged trench against which concrete is poured, namely, as a substitute for back forms (which work is performed by piledrivers): \$0.13 per hour additional.

CARP0409-002 07/01/2016

	Rates	Fringes
Diver		
(1) Wet.....	\$ 712.48	17.03
(2) Standby.....	\$ 356.24	17.03
(3) Tender.....	\$ 348.24	17.03
(4) Assistant Tender.....	\$ 324.24	17.03

Amounts in "Rates' column are per day

CARP0409-005 07/01/2015

	Rates	Fringes
Drywall		
DRYWALL INSTALLER/LATHER....	\$ 37.35	11.08
STOCKER/SCRAPPER.....	\$ 10.00	7.17

CARP0409-008 08/01/2010

	Rates	Fringes
Modular Furniture Installer.....	\$ 17.00	7.41

ELEC0440-001 01/01/2018

	Rates	Fringes
ELECTRICIAN		
INSIDE ELECTRICIAN.....	\$ 39.77	23.24
INTELLIGENT TRANSPORTATION SYSTEMS		
Electrician.....	\$ 36.99	3%+23.18
Technician.....	\$ 27.75	3%+23.18

ZONE PAY: Zone A: Free travel zone for all contractors performing work in Zone A.

Zone B: Any work performed in Zone (B) shall add \$12.00 per hour to the current wage scale. Zone (B) shall be the area from the eastern perimeter of Zone (A) to a line which runs north and south beginning at Little Morongo Canyon (San Bernardino/Riverside County Line), Southeast along the Coachella Tunnels, Colorado River Aqueduct and Mecca Tunnels to Pinkham Wash then South to Box Canyon Road, then southwest along Box Canyon Road to Highway 195 west onto 195 south to Highway 86 to Riverside/Imperial County Line.

ELEC0440-004 12/31/2018

COMMUNICATIONS AND SYSTEMS WORK

	Rates	Fringes
Communications System		
Installer.....	\$ 33.09	15.89
Technician.....	\$ 33.09	15.89

SCOPE OF WORK:

Installation, testing, service and maintenance of systems utilizing the transmission and/or transference of voice, sound, vision and digital for commercial, educational, security and entertainment purposes for the following: TV monitoring and surveillance, background-foreground music,

intercom and telephone interconnect, inventory control systems, microwave transmission, multi-media, multiplex, nurse call systems, radio page, school intercom and sound, burglar alarms, fire alarms, and low voltage master clock systems in commercial buildings. Communication Systems that transmit or receive information and/or control systems that are intrinsic to the above listed systems; inclusion or exclusion of terminations and testings of conductors determined by their function; excluding all other data systems or multiple systems which include control function or power supply; excluding installation of raceway systems, conduit systems, line voltage work, and energy management systems. Does not cover work performed at China Lake Naval Ordnance Test Station.

* ELEC1245-001 01/01/2019

	Rates	Fringes
LINE CONSTRUCTION		
(1) Lineman; Cable splicer..	\$ 56.79	17.41
(2) Equipment specialist (operates crawler tractors, commercial motor vehicles, backhoes, trenchers, cranes (50 tons and below), overhead & underground distribution line equipment).....	\$ 45.36	16.24
(3) Groundman.....	\$ 34.68	15.86
(4) Powderman.....	\$ 49.55	3%+17.65

HOLIDAYS: New Year's Day, M.L. King Day, Memorial Day, Independence Day, Labor Day, Veterans Day, Thanksgiving Day and day after Thanksgiving, Christmas Day

ELEV0018-001 01/01/2019

	Rates	Fringes
ELEVATOR MECHANIC.....	\$ 55.58	34.125

FOOTNOTE:

PAID VACATION: Employer contributes 8% of regular hourly rate as vacation pay credit for employees with more than 5 years of service, and 6% for 6 months to 5 years of service.
PAID HOLIDAYS: New Years Day, Memorial Day, Independence Day, Labor Day, Veterans Day, Thanksgiving Day, Friday after Thanksgiving, and Christmas Day.

ENGI0012-003 07/01/2018

	Rates	Fringes
OPERATOR: Power Equipment (All Other Work)		
GROUP 1.....	\$ 45.30	25.25
GROUP 2.....	\$ 46.08	25.25
GROUP 3.....	\$ 46.37	25.25
GROUP 4.....	\$ 47.86	25.25
GROUP 5.....	\$ 48.96	25.25
GROUP 6.....	\$ 48.08	25.25
GROUP 8.....	\$ 48.19	25.25
GROUP 9.....	\$ 49.29	25.25
GROUP 10.....	\$ 48.31	25.25
GROUP 11.....	\$ 49.41	25.25
GROUP 12.....	\$ 48.48	25.25
GROUP 13.....	\$ 48.58	25.25
GROUP 14.....	\$ 48.61	25.25
GROUP 15.....	\$ 48.69	25.25
GROUP 16.....	\$ 48.81	25.25
GROUP 17.....	\$ 48.98	25.25
GROUP 18.....	\$ 49.08	25.25
GROUP 19.....	\$ 49.19	25.25
GROUP 20.....	\$ 49.31	25.25
GROUP 21.....	\$ 49.48	25.25
GROUP 22.....	\$ 49.58	25.25
GROUP 23.....	\$ 49.69	25.25
GROUP 24.....	\$ 49.81	25.25
GROUP 25.....	\$ 49.98	25.25
OPERATOR: Power Equipment (Cranes, Piledriving & Hoisting)		
GROUP 1.....	\$ 46.65	25.25
GROUP 2.....	\$ 47.43	25.25
GROUP 3.....	\$ 47.72	25.25
GROUP 4.....	\$ 47.86	25.25
GROUP 5.....	\$ 48.08	25.25
GROUP 6.....	\$ 48.19	25.25
GROUP 7.....	\$ 48.31	25.25
GROUP 8.....	\$ 48.48	25.25
GROUP 9.....	\$ 48.65	25.25
GROUP 10.....	\$ 49.65	25.25
GROUP 11.....	\$ 50.65	25.25
GROUP 12.....	\$ 51.65	25.25
GROUP 13.....	\$ 52.65	25.25
OPERATOR: Power Equipment (Tunnel Work)		
GROUP 1.....	\$ 47.15	25.25
GROUP 2.....	\$ 47.93	25.25
GROUP 3.....	\$ 48.22	25.25
GROUP 4.....	\$ 48.39	25.25
GROUP 5.....	\$ 48.58	25.25

GROUP 6.....	\$ 48.69	25.25
GROUP 7.....	\$ 48.81	25.25

PREMIUM PAY:

\$3.75 per hour shall be paid on all Power Equipment Operator work on the following Military Bases: China Lake Naval Reserve, Vandenberg AFB, Point Arguello, Seely Naval Base, Fort Irwin, Nebo Annex Marine Base, Marine Corp Logistics Base Yermo, Edwards AFB, 29 Palms Marine Base and Camp Pendleton

Workers required to suit up and work in a hazardous material environment: \$2.00 per hour additional. Combination mixer and compressor operator on gunite work shall be classified as a concrete mobile mixer operator.

SEE ZONE DEFINITIONS AFTER CLASSIFICATIONS

POWER EQUIPMENT OPERATORS CLASSIFICATIONS

GROUP 1: Bargeman; Brakeman; Compressor operator; Ditch Witch, with seat or similar type equipment; Elevator operator-inside; Engineer Oiler; Forklift operator (includes loed, lull or similar types under 5 tons; Generator operator; Generator, pump or compressor plant operator; Pump operator; Signalman; Switchman

GROUP 2: Asphalt-rubber plant operator (nurse tank operator); Concrete mixer operator-skip type; Conveyor operator; Fireman; Forklift operator (includes loed, lull or similar types over 5 tons; Hydrostatic pump operator; oiler crusher (asphalt or concrete plant); Petromat laydown machine; PJU side dum jack; Screening and conveyor machine operator (or similar types); Skiploader (wheel type up to 3/4 yd. without attachment); Tar pot fireman; Temporary heating plant operator; Trenching machine oiler

GROUP 3: Asphalt-rubber blend operator; Bobcat or similar type (Skid steer); Equipment greaser (rack); Ford Ferguson (with dragtype attachments); Helicopter radioman (ground); Stationary pipe wrapping and cleaning machine operator

GROUP 4: Asphalt plant fireman; Backhoe operator (mini-max or similar type); Boring machine operator; Boxman or mixerman (asphalt or concrete); Chip spreading machine operator; Concrete cleaning decontamination machine operator; Concrete Pump Operator (small portable); Drilling machine operator, small auger types (Texoma super economatic or similar types - Hughes 100 or 200 or similar types - drilling depth of 30' maximum); Equipment greaser (grease truck); Guard rail post driver operator; Highline cableway signalman; Hydra-hammer-aero stomper; Micro Tunneling (above ground tunnel); Power concrete curing machine

operator; Power concrete saw operator; Power-driven jumbo form setter operator; Power sweeper operator; Rock Wheel Saw/Trencher; Roller operator (compacting); Screed operator (asphalt or concrete); Trenching machine operator (up to 6 ft.); Vacuum or much truck

GROUP 5: Equipment Greaser (Grease Truck/Multi Shift).

GROUP 6: Articulating material hauler; Asphalt plant engineer; Batch plant operator; Bit sharpener; Concrete joint machine operator (canal and similar type); Concrete planer operator; Dandy digger; Deck engine operator; Derrickman (oilfield type); Drilling machine operator, bucket or auger types (Calweld 100 bucket or similar types - Watson 1000 auger or similar types - Texoma 330, 500 or 600 auger or similar types - drilling depth of 45' maximum); Drilling machine operator; Hydrographic seeder machine operator (straw, pulp or seed), Jackson track maintainer, or similar type; Kalamazoo Switch tamper, or similar type; Machine tool operator; Maginnis internal full slab vibrator, Mechanical berm, curb or gutter (concrete or asphalt); Mechanical finisher operator (concrete, Clary-Johnson-Bidwell or similar); Micro tunnel system (below ground); Pavement breaker operator (truck mounted); Road oil mixing machine operator; Roller operator (asphalt or finish), rubber-tired earth moving equipment (single engine, up to and including 25 yds. struck); Self-propelled tar pipelining machine operator; Skiploader operator (crawler and wheel type, over 3/4 yd. and up to and including 1-1/2 yds.); Slip form pump operator (power driven hydraulic lifting device for concrete forms); Tractor operator-bulldozer, tamper-scraper (single engine, up to 100 h.p. flywheel and similar types, up to and including D-5 and similar types); Tugger hoist operator (1 drum); Ultra high pressure waterjet cutting tool system operator; Vacuum blasting machine operator

GROUP 8: Asphalt or concrete spreading operator (tamping or finishing); Asphalt paving machine operator (Barber Greene or similar type); Asphalt-rubber distribution operator; Backhoe operator (up to and including 3/4 yd.), small ford, Case or similar; Cast-in-place pipe laying machine operator; Combination mixer and compressor operator (guniting work); Compactor operator (self-propelled); Concrete mixer operator (paving); Crushing plant operator; Drill Doctor; Drilling machine operator, Bucket or auger types (Calweld 150 bucket or similar types - Watson 1500, 2000 2500 auger or similar types - Texoma 700, 800 auger or similar types - drilling depth of 60' maximum); Elevating grader operator; Grade checker; Gradall operator; Grouting machine operator; Heavy-duty repairman; Heavy equipment robotics operator; Kalamazoo balliste regulator or similar type; Kolman belt loader and similar type; Le Tourneau blob compactor or

similar type; Loader operator (Athey, Euclid, Sierra and similar types); Mobark Chipper or similar; Ozzie padder or similar types; P.C. slot saw; Pneumatic concrete placing machine operator (Hackley-Presswell or similar type); Pumpcrete gun operator; Rock Drill or similar types; Rotary drill operator (excluding caisson type); Rubber-tired earth-moving equipment operator (single engine, caterpillar, Euclid, Athey Wagon and similar types with any and all attachments over 25 yds. up to and including 50 cu. yds. struck); Rubber-tired earth-moving equipment operator (multiple engine up to and including 25 yds. struck); Rubber-tired scraper operator (self-loading paddle wheel type-John Deere, 1040 and similar single unit); Self-propelled curb and gutter machine operator; Shuttle buggy; Skiploader operator (crawler and wheel type over 1-1/2 yds. up to and including 6-1/2 yds.); Soil remediation plant operator; Surface heaters and planer operator; Tractor compressor drill combination operator; Tractor operator (any type larger than D-5 - 100 flywheel h.p. and over, or similar-bulldozer, tamper, scraper and push tractor single engine); Tractor operator (boom attachments), Traveling pipe wrapping, cleaning and bending machine operator; Trenching machine operator (over 6 ft. depth capacity, manufacturer's rating); trenching Machine with Road Miner attachment (over 6 ft depth capacity); Ultra high pressure waterjet cutting tool system mechanic; Water pull (compaction) operator

GROUP 9: Heavy Duty Repairman

GROUP 10: Drilling machine operator, Bucket or auger types (Calweld 200 B bucket or similar types-Watson 3000 or 5000 auger or similar types-Texoma 900 auger or similar types-drilling depth of 105' maximum); Dual drum mixer, dynamic compactor LDC350 (or similar types); Monorail locomotive operator (diesel, gas or electric); Motor patrol-blade operator (single engine); Multiple engine tractor operator (Euclid and similar type-except Quad 9 cat.); Rubber-tired earth-moving equipment operator (single engine, over 50 yds. struck); Pneumatic pipe ramming tool and similar types; Prestressed wrapping machine operator; Rubber-tired earth-moving equipment operator (single engine, over 50 yds. struck); Rubber tired earth moving equipment operator (multiple engine, Euclid, caterpillar and similar over 25 yds. and up to 50 yds. struck), Tower crane repairman; Tractor loader operator (crawler and wheel type over 6-1/2 yds.); Woods mixer operator (and similar Pugmill equipment)

GROUP 11: Heavy Duty Repairman - Welder Combination, Welder - Certified.

GROUP 12: Auto grader operator; Automatic slip form operator;

Drilling machine operator, bucket or auger types (Calweld, auger 200 CA or similar types - Watson, auger 6000 or similar types - Hughes Super Duty, auger 200 or similar types - drilling depth of 175' maximum); Hoe ram or similar with compressor; Mass excavator operator less than 750 cu. yards; Mechanical finishing machine operator; Mobile form traveler operator; Motor patrol operator (multi-engine); Pipe mobile machine operator; Rubber-tired earth-moving equipment operator (multiple engine, Euclid, Caterpillar and similar type, over 50 cu. yds. struck); Rubber-tired self-loading scraper operator (paddle-wheel-auger type self-loading - two (2) or more units)

GROUP 13: Rubber-tired earth-moving equipment operator operating equipment with push-pull system (single engine, up to and including 25 yds. struck)

GROUP 14: Canal liner operator; Canal trimmer operator; Remote-control earth-moving equipment operator (operating a second piece of equipment: \$1.00 per hour additional); Wheel excavator operator (over 750 cu. yds.)

GROUP 15: Rubber-tired earth-moving equipment operator, operating equipment with push-pull system (single engine, Caterpillar, Euclid, Athey Wagon and similar types with any and all attachments over 25 yds. and up to and including 50 yds. struck); Rubber-tired earth-moving equipment operator, operating equipment with push-pull system (multiple engine-up to and including 25 yds. struck)

GROUP 16: Rubber-tired earth-moving equipment operator, operating equipment with push-pull system (single engine, over 50 yds. struck); Rubber-tired earth-moving equipment operator, operating equipment with push-pull system (multiple engine, Euclid, Caterpillar and similar, over 25 yds. and up to 50 yds. struck)

GROUP 17: Rubber-tired earth-moving equipment operator, operating equipment with push-pull system (multiple engine, Euclid, Caterpillar and similar, over 50 cu. yds. struck); Tandem tractor operator (operating crawler type tractors in tandem - Quad 9 and similar type)

GROUP 18: Rubber-tired earth-moving equipment operator, operating in tandem (scrapers, belly dumps and similar types in any combination, excluding compaction units - single engine, up to and including 25 yds. struck)

GROUP 19: Rotex concrete belt operator (or similar types); Rubber-tired earth-moving equipment operator, operating in tandem (scrapers, belly dumps and similar types in any combination, excluding compaction units - single engine, Caterpillar, Euclid, Athey Wagon and similar types with any

and all attachments over 25 yds. and up to and including 50 cu. yds. struck); Rubber-tired earth-moving equipment operator, operating in tandem (scrapers, belly dumps and similar types in any combination, excluding compaction units - multiple engine, up to and including 25 yds. struck)

GROUP 20: Rubber-tired earth-moving equipment operator, operating in tandem (scrapers, belly dumps and similar types in any combination, excluding compaction units - single engine, over 50 yds. struck); Rubber-tired earth-moving equipment operator, operating in tandem (scrapers, belly dumps, and similar types in any combination, excluding compaction units - multiple engine, Euclid, Caterpillar and similar, over 25 yds. and up to 50 yds. struck)

GROUP 21: Rubber-tired earth-moving equipment operator, operating in tandem (scrapers, belly dumps and similar types in any combination, excluding compaction units - multiple engine, Euclid, Caterpillar and similar type, over 50 cu. yds. struck)

GROUP 22: Rubber-tired earth-moving equipment operator, operating equipment with the tandem push-pull system (single engine, up to and including 25 yds. struck)

GROUP 23: Rubber-tired earth-moving equipment operator, operating equipment with the tandem push-pull system (single engine, Caterpillar, Euclid, Athey Wagon and similar types with any and all attachments over 25 yds. and up to and including 50 yds. struck); Rubber-tired earth-moving equipment operator, operating with the tandem push-pull system (multiple engine, up to and including 25 yds. struck)

GROUP 24: Rubber-tired earth-moving equipment operator, operating equipment with the tandem push-pull system (single engine, over 50 yds. struck); Rubber-tired earth-moving equipment operator, operating equipment with the tandem push-pull system (multiple engine, Euclid, Caterpillar and similar, over 25 yds. and up to 50 yds. struck)

GROUP 25: Concrete pump operator-truck mounted; Rubber-tired earth-moving equipment operator, operating equipment with the tandem push-pull system (multiple engine, Euclid, Caterpillar and similar type, over 50 cu. yds. struck)

CRANES, PILEDIVING AND HOISTING EQUIPMENT CLASSIFICATIONS

GROUP 1: Engineer oiler; Fork lift operator (includes loed, lull or similar types)

GROUP 2: Truck crane oiler

GROUP 3: A-frame or winch truck operator; Ross carrier operator (jobsite)

GROUP 4: Bridge-type unloader and turntable operator; Helicopter hoist operator

GROUP 5: Hydraulic boom truck; Stinger crane (Austin-Western or similar type); Tugger hoist operator (1 drum)

GROUP 6: Bridge crane operator; Cretor crane operator; Hoist operator (Chicago boom and similar type); Lift mobile operator; Lift slab machine operator (Vagtborg and similar types); Material hoist and/or manlift operator; Polar gantry crane operator; Self Climbing scaffold (or similar type); Shovel, backhoe, dragline, clamshell operator (over 3/4 yd. and up to 5 cu. yds. mrc); Tugger hoist operator

GROUP 7: Pedestal crane operator; Shovel, backhoe, dragline, clamshell operator (over 5 cu. yds. mrc); Tower crane repair; Tugger hoist operator (3 drum)

GROUP 8: Crane operator (up to and including 25 ton capacity); Crawler transporter operator; Derrick barge operator (up to and including 25 ton capacity); Hoist operator, stiff legs, Guy derrick or similar type (up to and including 25 ton capacity); Shovel, backhoe, dragline, clamshell operator (over 7 cu. yds., M.R.C.)

GROUP 9: Crane operator (over 25 tons and up to and including 50 tons mrc); Derrick barge operator (over 25 tons up to and including 50 tons mrc); Highline cableway operator; Hoist operator, stiff legs, Guy derrick or similar type (over 25 tons up to and including 50 tons mrc); K-crane operator; Polar crane operator; Self erecting tower crane operator maximum lifting capacity ten tons

GROUP 10: Crane operator (over 50 tons and up to and including 100 tons mrc); Derrick barge operator (over 50 tons up to and including 100 tons mrc); Hoist operator, stiff legs, Guy derrick or similar type (over 50 tons up to and including 100 tons mrc), Mobile tower crane operator (over 50 tons, up to and including 100 tons M.R.C.); Tower crane operator and tower gantry

GROUP 11: Crane operator (over 100 tons and up to and including 200 tons mrc); Derrick barge operator (over 100 tons up to and including 200 tons mrc); Hoist operator, stiff legs, Guy derrick or similar type (over 100 tons up to and including 200 tons mrc); Mobile tower crane operator (over 100 tons up to and including 200 tons mrc)

GROUP 12: Crane operator (over 200 tons up to and including 300 tons mrc); Derrick barge operator (over 200 tons up to and including 300 tons mrc); Hoist operator, stiff legs, Guy derrick or similar type (over 200 tons, up to and including 300 tons mrc); Mobile tower crane operator (over 200 tons, up to and including 300 tons mrc)

GROUP 13: Crane operator (over 300 tons); Derrick barge operator (over 300 tons); Helicopter pilot; Hoist operator, stiff legs, Guy derrick or similar type (over 300 tons); Mobile tower crane operator (over 300 tons)

TUNNEL CLASSIFICATIONS

GROUP 1: Skiploader (wheel type up to 3/4 yd. without attachment)

GROUP 2: Power-driven jumbo form setter operator

GROUP 3: Dinkey locomotive or motorperson (up to and including 10 tons)

GROUP 4: Bit sharpener; Equipment greaser (grease truck); Slip form pump operator (power-driven hydraulic lifting device for concrete forms); Tugger hoist operator (1 drum); Tunnel locomotive operator (over 10 and up to and including 30 tons)

GROUP 5: Backhoe operator (up to and including 3/4 yd.); Small Ford, Case or similar; Drill doctor; Grouting machine operator; Heading shield operator; Heavy-duty repairperson; Loader operator (Athey, Euclid, Sierra and similar types); Mucking machine operator (1/4 yd., rubber-tired, rail or track type); Pneumatic concrete placing machine operator (Hackley-Presswell or similar type); Pneumatic heading shield (tunnel); Pumpcrete gun operator; Tractor compressor drill combination operator; Tugger hoist operator (2 drum); Tunnel locomotive operator (over 30 tons)

GROUP 6: Heavy Duty Repairman

GROUP 7: Tunnel mole boring machine operator

ENGINEERS ZONES

\$1.00 additional per hour for all of IMPERIAL County and the portions of KERN, RIVERSIDE & SAN BERNARDINO Counties as defined below:

That area within the following Boundary: Begin in San Bernardino County, approximately 3 miles NE of the intersection of I-15 and the California State line at that point which is the NW corner of Section 1, T17N,m R14E, San Bernardino

Meridian. Continue W in a straight line to that point which is the SW corner of the northwest quarter of Section 6, T27S, R42E, Mt. Diablo Meridian. Continue North to the intersection with the Inyo County Boundary at that point which is the NE corner of the western half of the northern quarter of Section 6, T25S, R42E, MDM. Continue W along the Inyo and San Bernardino County boundary until the intersection with Kern County, as that point which is the SE corner of Section 34, T24S, R40E, MDM. Continue W along the Inyo and Kern County boundary until the intersection with Tulare County, at that point which is the SW corner of the SE quarter of Section 32, T24S, R37E, MDM. Continue W along the Kern and Tulare County boundary, until that point which is the NW corner of T25S, R32E, MDM. Continue S following R32E lines to the NW corner of T31S, R32E, MDM. Continue W to the NW corner of T31S, R31E, MDM. Continue S to the SW corner of T32S, R31E, MDM. Continue W to SW corner of SE quarter of Section 34, T32S, R30E, MDM. Continue S to SW corner of T11N, R17W, SBM. Continue E along south boundary of T11N, SBM to SW corner of T11N, R7W, SBM. Continue S to SW corner of T9N, R7W, SBM. Continue E along south boundary of T9N, SBM to SW corner of T9N, R1E, SBM. Continue S along west boundary of R1E, SMB to Riverside County line at the SW corner of T1S, R1E, SBM. Continue E along south boundary of T1s, SBM (Riverside County Line) to SW corner of T1S, R10E, SBM. Continue S along west boundary of R10E, SBM to Imperial County line at the SW corner of T8S, R10E, SBM. Continue W along Imperial and Riverside county line to NW corner of T9S, R9E, SBM. Continue S along the boundary between Imperial and San Diego Counties, along the west edge of R9E, SBM to the south boundary of Imperial County/California state line. Follow the California state line west to Arizona state line, then north to Nevada state line, then continuing NW back to start at the point which is the NW corner of Section 1, T17N, R14E, SBM

\$1.00 additional per hour for portions of SAN LUIS OBISPO, KERN, SANTA BARBARA & VENTURA as defined below:

That area within the following Boundary: Begin approximately 5 miles north of the community of Cholame, on the Monterey County and San Luis Obispo County boundary at the NW corner of T25S, R16E, Mt. Diablo Meridian. Continue south along the west side of R16E to the SW corner of T30S, R16E, MDM. Continue E to SW corner of T30S, R17E, MDM. Continue S to SW corner of T31S, R17E, MDM. Continue E to SW corner of T31S, R18E, MDM. Continue S along West side of R18E, MDM as it crosses into San Bernardino Meridian numbering area and becomes R30W. Follow the west side of R30W, SBM to the SW corner of T9N, R30W, SBM. Continue E along the south edge of T9N, SBM to the Santa Barbara County and Ventura County boundary at that point which is the SW corner of Section 34. T9N, R24W, SBM, continue S along the Ventura County line to that point which is the SW corner of the SE quarter of Section 32, T7N, R24W, SBM. Continue E

along the south edge of T7N, SBM to the SE corner to T7N, R21W, SBM. Continue N along East side of R21W, SBM to Ventura County and Kern County boundary at the NE corner of T8N, R21W.

Continue W along the Ventura County and Kern County boundary to the SE corner of T9N, R21W. Continue North along the East edge of R21W, SBM to the NE corner of T12N, R21W, SBM. Continue West along the north edge of T12N, SBM to the SE corner of T32S, R21E, MDM. [T12N SBM is a think strip between T11N SBM and T32S MDM]. Continue North along the East side of R21E, MDM to the Kings County and Kern County border at the NE corner of T25S, R21E, MDM, continue West along the Kings County and Kern County Boundary until the intersection of San Luis Obispo County. Continue west along the Kings County and San Luis Obispo County boundary until the intersection with Monterey County. Continue West along the Monterey County and San Luis Obispo County boundary to the beginning point at the NW corner of T25S, R16E, MDM.

\$2.00 additional per hour for INYO and MONO Counties and the Northern portion of SAN BERNARDINO County as defined below:

That area within the following Boundary: Begin at the intersection of the northern boundary of Mono County and the California state line at the point which is the center of Section 17, T10N, R22E, Mt. Diablo Meridian. Continue S then SE along the entire western boundary of Mono County, until it reaches Inyo County at the point which is the NE corner of the Western half of the NW quarter of Section 2, T8S, R29E, MDM. Continue SSE along the entire western boundary of Inyo County, until the intersection with Kern County at the point which is the SW corner of the SE 1/4 of Section 32, T24S, R37E, MDM. Continue E along the Inyo and Kern County boundary until the intersection with San Bernardino County at that point which is the SE corner of section 34, T24S, R40E, MDM. Continue E along the Inyo and San Bernardino County boundary until the point which is the NE corner of the Western half of the NW quarter of Section 6, T25S, R42E, MDM. Continue S to that point which is the SW corner of the NW quarter of Section 6, T27S, R42E, MDM. Continue E in a straight line to the California and Nevada state border at the point which is the NW corner of Section 1, T17N, R14E, San Bernardino Meridian. Then continue NW along the state line to the starting point, which is the center of Section 18, T10N, R22E, MDM.

REMAINING AREA NOT DEFINED ABOVE RECIEVES BASE RATE

ENGI0012-004 08/01/2015

Rates Fringes

◆City of Coachella City Project No. ST-110

OPERATOR: Power Equipment
(DREDGING)

(1) Leverman.....	\$ 49.50	23.60
(2) Dredge dozer.....	\$ 43.53	23.60
(3) Deckmate.....	\$ 43.42	23.60
(4) Winch operator (stern winch on dredge).....	\$ 42.87	23.60
(5) Fireman-Oiler, Deckhand, Bargeman, Leveehand.....	\$ 42.33	23.60
(6) Barge Mate.....	\$ 42.94	23.60

IRON0377-002 01/01/2019

Rates	Fringes
-------	---------

Ironworkers:

Fence Erector.....	\$ 32.58	23.41
Ornamental, Reinforcing and Structural.....	\$ 39.00	32.05

PREMIUM PAY:

\$6.00 additional per hour at the following locations:

China Lake Naval Test Station, Chocolate Mountains Naval Reserve-Niland, Edwards AFB, Fort Irwin Military Station, Fort Irwin Training Center-Goldstone, San Clemente Island, San Nicholas Island, Susanville Federal Prison, 29 Palms - Marine Corps, U.S. Marine Base - Barstow, U.S. Naval Air Facility - Sealey, Vandenberg AFB

\$4.00 additional per hour at the following locations:

Army Defense Language Institute - Monterey, Fallon Air Base, Naval Post Graduate School - Monterey, Yermo Marine Corps Logistics Center

\$2.00 additional per hour at the following locations:

Port Hueneme, Port Mugu, U.S. Coast Guard Station - Two Rock

LABO0300-005 01/01/2018

Rates	Fringes
-------	---------

Asbestos Removal Laborer.....	\$ 33.19	17.78
-------------------------------	----------	-------

SCOPE OF WORK: Includes site mobilization, initial site cleanup, site preparation, removal of asbestos-containing material and toxic waste, encapsulation, enclosure and

disposal of asbestos- containing materials and toxic waste by hand or with equipment or machinery; scaffolding, fabrication of temporary wooden barriers and assembly of decontamination stations.

LABO0345-001 07/01/2018

	Rates	Fringes
LABORER (GUNITE)		
GROUP 1.....	\$ 42.18	18.27
GROUP 2.....	\$ 41.23	18.27
GROUP 3.....	\$ 37.69	18.27

FOOTNOTE: GUNITE PREMIUM PAY: Workers working from a Bosn'n's Chair or suspended from a rope or cable shall receive 40 cents per hour above the foregoing applicable classification rates. Workers doing gunite and/or shotcrete work in a tunnel shall receive 35 cents per hour above the foregoing applicable classification rates, paid on a portal-to-portal basis. Any work performed on, in or above any smoke stack, silo, storage elevator or similar type of structure, when such structure is in excess of 75'-0" above base level and which work must be performed in whole or in part more than 75'-0" above base level, that work performed above the 75'-0" level shall be compensated for at 35 cents per hour above the applicable classification wage rate.

GUNITE LABORER CLASSIFICATIONS

GROUP 1: Rodmen, Nozzlemen

GROUP 2: Gunmen

GROUP 3: Reboundmen

LABO1184-001 07/01/2018

	Rates	Fringes
Laborers: (HORIZONTAL DIRECTIONAL DRILLING)		
(1) Drilling Crew Laborer...	\$ 35.70	14.03
(2) Vehicle Operator/Hauler.	\$ 35.87	14.03
(3) Horizontal Directional Drill Operator.....	\$ 37.72	14.03
(4) Electronic Tracking Locator.....	\$ 39.72	14.03
Laborers: (STRIPING/SLURRY SEAL)		

GROUP 1.....	\$ 35.86	16.21
GROUP 2.....	\$ 37.16	16.21
GROUP 3.....	\$ 39.17	16.21
GROUP 4.....	\$ 40.91	16.21

LABORERS - STRIPING CLASSIFICATIONS

GROUP 1: Protective coating, pavement sealing, including repair and filling of cracks by any method on any surface in parking lots, game courts and playgrounds; carstops; operation of all related machinery and equipment; equipment repair technician

GROUP 2: Traffic surface abrasive blaster; pot tender - removal of all traffic lines and markings by any method (sandblasting, waterblasting, grinding, etc.) and preparation of surface for coatings. Traffic control person: controlling and directing traffic through both conventional and moving lane closures; operation of all related machinery and equipment

GROUP 3: Traffic delineating device applicator: Layout and application of pavement markers, delineating signs, rumble and traffic bars, adhesives, guide markers, other traffic delineating devices including traffic control. This category includes all traffic related surface preparation (sandblasting, waterblasting, grinding) as part of the application process. Traffic protective delineating system installer: removes, relocates, installs, permanently affixed roadside and parking delineation barricades, fencing, cable anchor, guard rail, reference signs, monument markers; operation of all related machinery and equipment; power broom sweeper

GROUP 4: Striper: layout and application of traffic stripes and markings; hot thermo plastic; tape traffic stripes and markings, including traffic control; operation of all related machinery and equipment

LABO1184-002 07/01/2018

	Rates	Fringes
LABORER (TUNNEL)		
GROUP 1.....	\$ 40.19	19.07
GROUP 2.....	\$ 40.51	19.07
GROUP 3.....	\$ 40.97	19.07
GROUP 4.....	\$ 41.66	19.07
LABORER		
GROUP 1.....	\$ 34.24	19.07
GROUP 2.....	\$ 34.79	19.07
GROUP 3.....	\$ 35.34	19.07

GROUP 4.....	\$ 36.89	19.07
GROUP 5.....	\$ 37.24	19.07

LABORER CLASSIFICATIONS

GROUP 1: Cleaning and handling of panel forms; Concrete screeding for rough strike-off; Concrete, water curing; Demolition laborer, the cleaning of brick if performed by a worker performing any other phase of demolition work, and the cleaning of lumber; Fire watcher, limber, brush loader, piler and debris handler; Flag person; Gas, oil and/or water pipeline laborer; Laborer, asphalt-rubber material loader; Laborer, general or construction; Laborer, general clean-up; Laborer, landscaping; Laborer, jetting; Laborer, temporary water and air lines; Material hose operator (walls, slabs, floors and decks); Plugging, filling of shee bolt holes; Dry packing of concrete; Railroad maintenance, repair track person and road beds; Streetcar and railroad construction track laborers; Rigging and signaling; Scaler; Slip form raiser; Tar and mortar; Tool crib or tool house laborer; Traffic control by any method; Window cleaner; Wire mesh pulling - all concrete pouring operations

GROUP 2: Asphalt shoveler; Cement dumper (on 1 yd. or larger mixer and handling bulk cement); Cesspool digger and installer; Chucktender; Chute handler, pouring concrete, the handling of the chute from readymix trucks, such as walls, slabs, decks, floors, foundation, footings, curbs, gutters and sidewalks; Concrete curer, impervious membrane and form oiler; Cutting torch operator (demolition); Fine grader, highways and street paving, airport, runways and similar type heavy construction; Gas, oil and/or water pipeline wrapper - pot tender and form person; Guinea chaser; Headerboard person - asphalt; Laborer, packing rod steel and pans; Membrane vapor barrier installer; Power broom sweeper (small); Riprap stonepaver, placing stone or wet sacked concrete; Roto scraper and tiller; Sandblaster (pot tender); Septic tank digger and installer(lead); Tank scaler and cleaner; Tree climber, faller, chain saw operator, Pittsburgh chipper and similar type brush shredder; Underground laborer, including caisson bellower

GROUP 3: Buggymobile person; Concrete cutting torch; Concrete pile cutter; Driller, jackhammer, 2-1/2 ft. drill steel or longer; Dri-pak-it machine; Gas, oil and/or water pipeline wrapper, 6-in. pipe and over, by any method, inside and out; High scaler (including drilling of same); Hydro seeder and similar type; Impact wrench multi-plate; Kettle person, pot person and workers applying asphalt, lay-kold, creosote, lime caustic and similar type materials ("applying" means applying, dipping, brushing or handling of such materials for pipe wrapping and waterproofing); Operator of pneumatic, gas, electric tools, vibrating

machine, pavement breaker, air blasting, come-alongs, and similar mechanical tools not separately classified herein; Pipelayer's backup person, coating, grouting, making of joints, sealing, caulking, diapering and including rubber gasket joints, pointing and any and all other services; Rock slinger; Rotary scarifier or multiple head concrete chipping scarifier; Steel headerboard and guideline setter; Tamper, Barko, Wacker and similar type; Trenching machine, hand-propelled

GROUP 4: Asphalt raker, lute person, ironer, asphalt dump person, and asphalt spreader boxes (all types); Concrete core cutter (walls, floors or ceilings), grinder or sander; Concrete saw person, cutting walls or flat work, scoring old or new concrete; Cribber, shorer, lagging, sheeting and trench bracing, hand-guided lagging hammer; Head rock slinger; Laborer, asphalt- rubber distributor boot person; Laser beam in connection with laborers' work; Oversize concrete vibrator operator, 70 lbs. and over; Pipelayer performing all services in the laying and installation of pipe from the point of receiving pipe in the ditch until completion of operation, including any and all forms of tubular material, whether pipe, metallic or non-metallic, conduit and any other stationary type of tubular device used for the conveying of any substance or element, whether water, sewage, solid gas, air, or other product whatsoever and without regard to the nature of material from which the tubular material is fabricated; No-joint pipe and stripping of same; Prefabricated manhole installer; Sandblaster (nozzle person), water blasting, Porta Shot-Blast

GROUP 5: Blaster powder, all work of loading holes, placing and blasting of all powder and explosives of whatever type, regardless of method used for such loading and placing; Driller: All power drills, excluding jackhammer, whether core, diamond, wagon, track, multiple unit, and any and all other types of mechanical drills without regard to the form of motive power; Toxic waste removal

TUNNEL LABORER CLASSIFICATIONS

GROUP 1: Batch plant laborer; Changehouse person; Dump person; Dump person (outside); Swamper (brake person and switch person on tunnel work); Tunnel materials handling person; Nipper; Pot tender, using mastic or other materials (for example, but not by way of limitation, shotcrete, etc.)

GROUP 2: Chucktender, cabledtender; Loading and unloading agitator cars; Vibrator person, jack hammer, pneumatic tools (except driller); Bull gang mucker, track person; Concrete crew, including rodder and spreader

GROUP 3: Blaster, driller, powder person; Chemical grout jet

person; Cherry picker person; Grout gun person; Grout mixer person; Grout pump person; Jackleg miner; Jumbo person; Kemper and other pneumatic concrete placer operator; Miner, tunnel (hand or machine); Nozzle person; Operating of troweling and/or grouting machines; Powder person (primer house); Primer person; Sandblaster; Shotcrete person; Steel form raiser and setter; Timber person, retimber person, wood or steel; Tunnel Concrete finisher

GROUP 4: Diamond driller; Sandblaster; Shaft and raise work

LABO1184-004 07/01/2018

	Rates	Fringes
Brick Tender.....	\$ 32.26	18.40

LABO1414-001 08/08/2018

	Rates	Fringes
LABORER		
PLASTER CLEAN-UP LABORER....	\$ 33.82	19.40
PLASTER TENDER.....	\$ 36.37	19.40

Work on a swing stage scaffold: \$1.00 per hour additional.

PAIN0036-001 07/01/2018

	Rates	Fringes
Painters: (Including Lead Abatement)		
(1) Repaint (excludes San Diego County).....	\$ 27.59	14.92
(2) All Other Work.....	\$ 31.12	15.04

REPAINT of any previously painted structure. Exceptions: work involving the aerospace industry, breweries, commercial recreational facilities, hotels which operate commercial establishments as part of hotel service, and sports facilities.

PAIN0036-008 10/01/2018

	Rates	Fringes
DRYWALL FINISHER/TAPER.....	\$ 40.18	19.22

PAIN0036-015 06/01/2018

	Rates	Fringes
GLAZIER.....	\$ 42.20	25.50

FOOTNOTE: Additional \$1.25 per hour for work in a condor, from the third (3rd) floor and up Additional \$1.25 per hour for work on the outside of the building from a swing stage or any suspended contrivance, from the ground up

PAIN1247-002 05/01/2018

	Rates	Fringes
SOFT FLOOR LAYER.....	\$ 33.85	14.56

PLAS0200-009 08/01/2018

	Rates	Fringes
PLASTERER.....	\$ 36.86	18.00

PLAS0500-002 07/01/2018

	Rates	Fringes
CEMENT MASON/CONCRETE FINISHER...	\$ 35.75	22.48

PLUM0016-001 09/01/2018

	Rates	Fringes
PLUMBER/PIPEFITTER Plumber and Pipefitter All other work except work on new additions and remodeling of bars, restaurant, stores and commercial buildings not to exceed 5,000 sq. ft. of floor space and work on strip malls, light commercial, tenant improvement and remodel work.....	\$ 50.13	22.16
Work ONLY on new additions and remodeling of bars, restaurant, stores and commercial buildings not to exceed 5,000 sq. ft. of floor space.....	\$ 48.58	21.18
Work ONLY on strip malls, light commercial, tenant		

improvement and remodel
work.....\$ 37.10 19.51

PLUM0078-001 07/01/2016

Rates Fringes

PLUMBER

Landscape/Irrigation Fitter.\$ 44.16 25.19
Sewer & Storm Drain Work....\$ 44.16 25.19

ROOF0036-002 08/01/2018

Rates Fringes

ROOFER.....\$ 38.12 16.97

FOOTNOTE: Pitch premium: Work on which employees are exposed to pitch fumes or required to handle pitch, pitch base or pitch impregnated products, or any material containing coal tar pitch, the entire roofing crew shall receive \$1.75 per hour "pitch premium" pay.

SFCA0669-002 04/01/2018

Rates Fringes

SPRINKLER FITTER.....\$ 39.73 21.90

SHEE0105-003 01/01/2019

LOS ANGELES (South of a straight line drawn between Gorman and Big Pines)and Catalina Island, INYO, KERN (Northeast part, East of Hwy 395), MONO ORANGE, RIVERSIDE, AND SAN BERNARDINO COUNTIES

Rates Fringes

SHEET METAL WORKER

(1) Commercial - New
Construction and Remodel
work.....\$ 44.28 28.46
(2) Industrial work
including air pollution
control systems, noise
abatement, hand rails,
guard rails, excluding
aritechtural sheet metal
work, excluding A-C,
heating, ventilating
systems for human comfort...\$ 44.28 28.46

TEAM0011-002 07/01/2018

	Rates	Fringes
TRUCK DRIVER		
GROUP 1.....	\$ 30.59	28.59
GROUP 2.....	\$ 30.74	28.59
GROUP 3.....	\$ 30.87	28.59
GROUP 4.....	\$ 31.06	28.59
GROUP 5.....	\$ 31.09	28.59
GROUP 6.....	\$ 31.12	28.59
GROUP 7.....	\$ 31.37	28.59
GROUP 8.....	\$ 31.62	28.59
GROUP 9.....	\$ 31.82	28.59
GROUP 10.....	\$ 32.12	28.59
GROUP 11.....	\$ 32.62	28.59
GROUP 12.....	\$ 33.05	28.59

WORK ON ALL MILITARY BASES:

PREMIUM PAY: \$3.00 per hour additional.

[29 palms Marine Base, Camp Roberts, China Lake, Edwards AFB,
El Centro Naval Facility, Fort Irwin, Marine Corps
Logistics Base at Nebo & Yermo, Mountain Warfare Training
Center, Bridgeport, Point Arguello, Point Conception,
Vandenberg AFB]

TRUCK DRIVERS CLASSIFICATIONS

GROUP 1: Truck driver

GROUP 2: Driver of vehicle or combination of vehicles - 2
axles; Traffic control pilot car excluding moving heavy
equipment permit load; Truck mounted broom

GROUP 3: Driver of vehicle or combination of vehicles - 3
axles; Boot person; Cement mason distribution truck; Fuel
truck driver; Water truck - 2 axle; Dump truck, less than
16 yds. water level; Erosion control driver

GROUP 4: Driver of transit mix truck, under 3 yds.; Dumpcrete
truck, less than 6-1/2 yds. water level

GROUP 5: Water truck, 3 or more axles; Truck greaser and tire
person (\$0.50 additional for tire person); Pipeline and
utility working truck driver, including winch truck and
plastic fusion, limited to pipeline and utility work;
Slurry truck driver

GROUP 6: Transit mix truck, 3 yds. or more; Dumpcrete truck,
6-1/2 yds. water level and over; Vehicle or combination of
vehicles - 4 or more axles; Oil spreader truck; Dump truck,

16 yds. to 25 yds. water level

GROUP 7: A Frame, Swedish crane or similar; Forklift driver; Ross carrier driver

GROUP 8: Dump truck, 25 yds. to 49 yds. water level; Truck repair person; Water pull - single engine; Welder

GROUP 9: Truck repair person/welder; Low bed driver, 9 axles or over

GROUP 10: Dump truck - 50 yds. or more water level; Water pull - single engine with attachment

GROUP 11: Water pull - twin engine; Water pull - twin engine with attachments; Winch truck driver - \$1.25 additional when operating winch or similar special attachments

GROUP 12: Boom Truck 17K and above

WELDERS - Receive rate prescribed for craft performing operation to which welding is incidental.

=====

Note: Executive Order (EO) 13706, Establishing Paid Sick Leave for Federal Contractors applies to all contracts subject to the Davis-Bacon Act for which the contract is awarded (and any solicitation was issued) on or after January 1, 2017. If this contract is covered by the EO, the contractor must provide employees with 1 hour of paid sick leave for every 30 hours they work, up to 56 hours of paid sick leave each year. Employees must be permitted to use paid sick leave for their own illness, injury or other health-related needs, including preventive care; to assist a family member (or person who is like family to the employee) who is ill, injured, or has other health-related needs, including preventive care; or for reasons resulting from, or to assist a family member (or person who is like family to the employee) who is a victim of, domestic violence, sexual assault, or stalking. Additional information on contractor requirements and worker protections under the EO is available at www.dol.gov/whd/govcontracts.

Unlisted classifications needed for work not included within the scope of the classifications listed may be added after award only as provided in the labor standards contract clauses (29CFR 5.5 (a) (1) (ii)).

The body of each wage determination lists the classification and wage rates that have been found to be prevailing for the cited type(s) of construction in the area covered by the wage determination. The classifications are listed in alphabetical order of "identifiers" that indicate whether the particular rate is a union rate (current union negotiated rate for local), a survey rate (weighted average rate) or a union average rate (weighted union average rate).

Union Rate Identifiers

A four letter classification abbreviation identifier enclosed in dotted lines beginning with characters other than "SU" or "UAVG" denotes that the union classification and rate were prevailing for that classification in the survey. Example: PLUM0198-005 07/01/2014. PLUM is an abbreviation identifier of the union which prevailed in the survey for this classification, which in this example would be Plumbers. 0198 indicates the local union number or district council number where applicable, i.e., Plumbers Local 0198. The next number, 005 in the example, is an internal number used in processing the wage determination. 07/01/2014 is the effective date of the most current negotiated rate, which in this example is July 1, 2014.

Union prevailing wage rates are updated to reflect all rate changes in the collective bargaining agreement (CBA) governing this classification and rate.

Survey Rate Identifiers

Classifications listed under the "SU" identifier indicate that no one rate prevailed for this classification in the survey and the published rate is derived by computing a weighted average rate based on all the rates reported in the survey for that classification. As this weighted average rate includes all rates reported in the survey, it may include both union and non-union rates. Example: SULA2012-007 5/13/2014. SU indicates the rates are survey rates based on a weighted average calculation of rates and are not majority rates. LA indicates the State of Louisiana. 2012 is the year of survey on which these classifications and rates are based. The next number, 007 in the example, is an internal number used in producing the wage determination. 5/13/2014 indicates the survey completion date for the classifications and rates under that identifier.

Survey wage rates are not updated and remain in effect until a new survey is conducted.

Union Average Rate Identifiers

Classification(s) listed under the UAVG identifier indicate

that no single majority rate prevailed for those classifications; however, 100% of the data reported for the classifications was union data. EXAMPLE: UAVG-OH-0010 08/29/2014. UAVG indicates that the rate is a weighted union average rate. OH indicates the state. The next number, 0010 in the example, is an internal number used in producing the wage determination. 08/29/2014 indicates the survey completion date for the classifications and rates under that identifier.

A UAVG rate will be updated once a year, usually in January of each year, to reflect a weighted average of the current negotiated/CBA rate of the union locals from which the rate is based.

WAGE DETERMINATION APPEALS PROCESS

1.) Has there been an initial decision in the matter? This can be:

- * an existing published wage determination
- * a survey underlying a wage determination
- * a Wage and Hour Division letter setting forth a position on a wage determination matter
- * a conformance (additional classification and rate) ruling

On survey related matters, initial contact, including requests for summaries of surveys, should be with the Wage and Hour Regional Office for the area in which the survey was conducted because those Regional Offices have responsibility for the Davis-Bacon survey program. If the response from this initial contact is not satisfactory, then the process described in 2.) and 3.) should be followed.

With regard to any other matter not yet ripe for the formal process described here, initial contact should be with the Branch of Construction Wage Determinations. Write to:

Branch of Construction Wage Determinations
Wage and Hour Division
U.S. Department of Labor
200 Constitution Avenue, N.W.
Washington, DC 20210

2.) If the answer to the question in 1.) is yes, then an interested party (those affected by the action) can request review and reconsideration from the Wage and Hour Administrator (See 29 CFR Part 1.8 and 29 CFR Part 7). Write to:

Wage and Hour Administrator

U.S. Department of Labor
200 Constitution Avenue, N.W.
Washington, DC 20210

The request should be accompanied by a full statement of the interested party's position and by any information (wage payment data, project description, area practice material, etc.) that the requestor considers relevant to the issue.

3.) If the decision of the Administrator is not favorable, an interested party may appeal directly to the Administrative Review Board (formerly the Wage Appeals Board). Write to:

Administrative Review Board
U.S. Department of Labor
200 Constitution Avenue, N.W.
Washington, DC 20210

4.) All decisions by the Administrative Review Board are final.

=====

END OF GENERAL DECISION