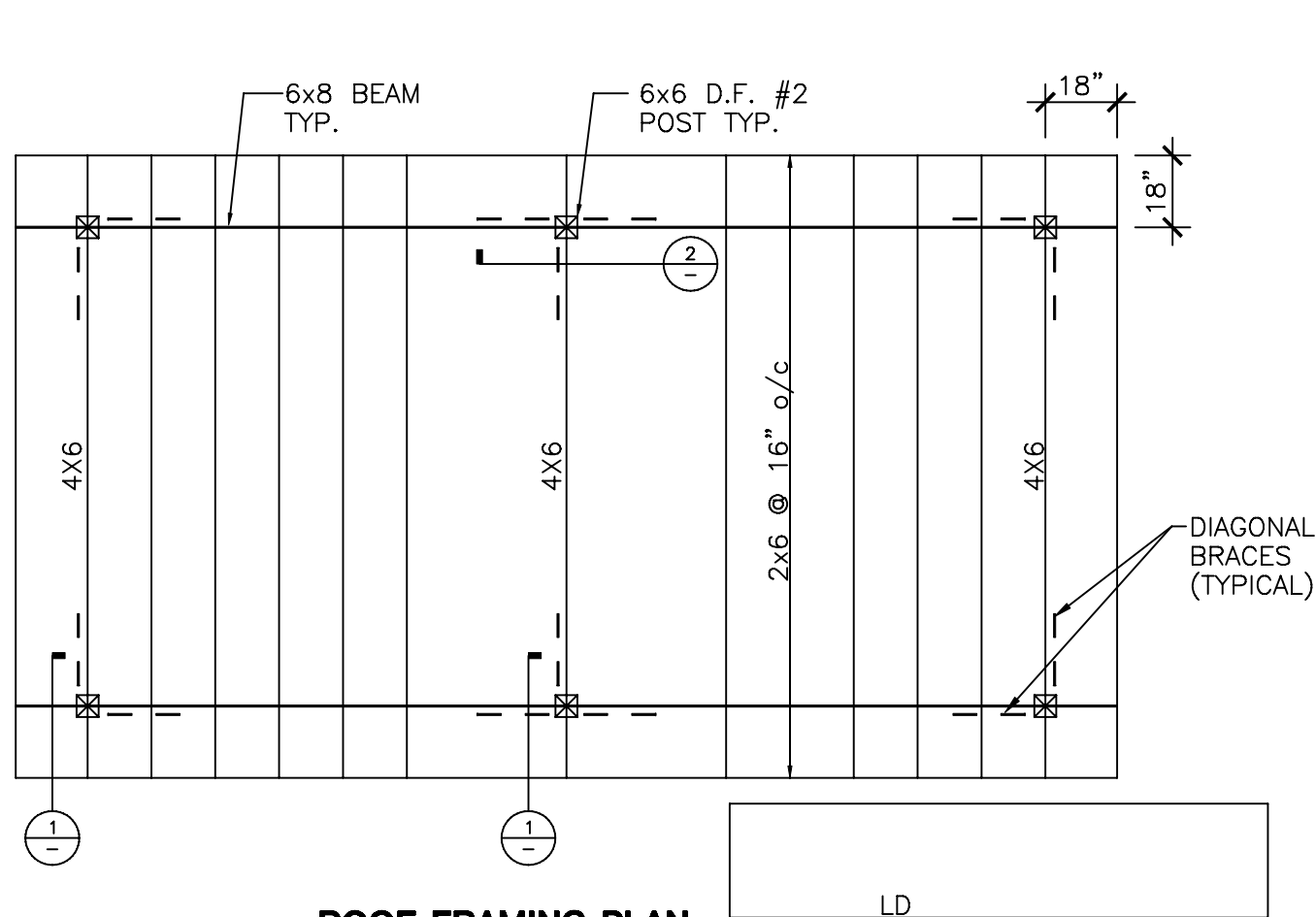
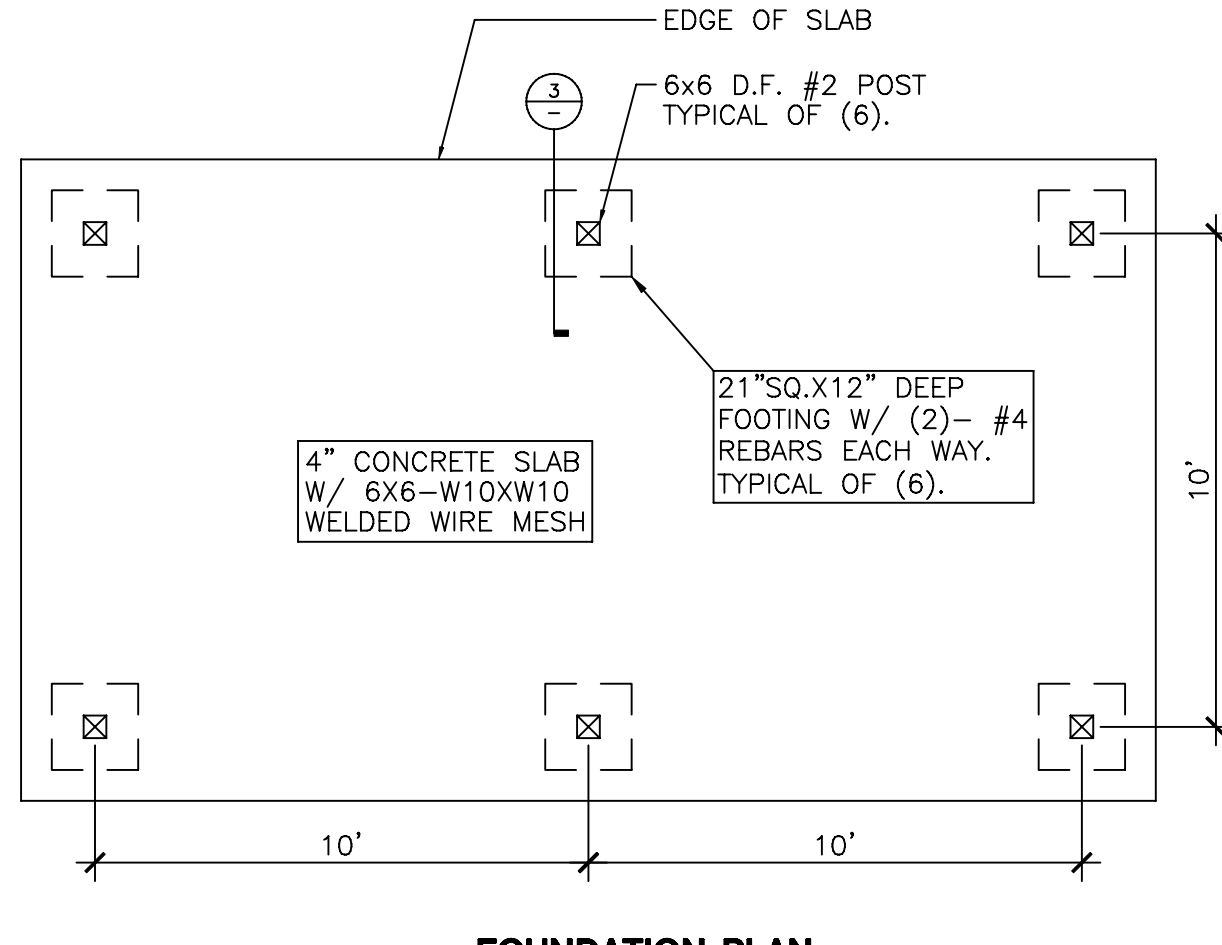




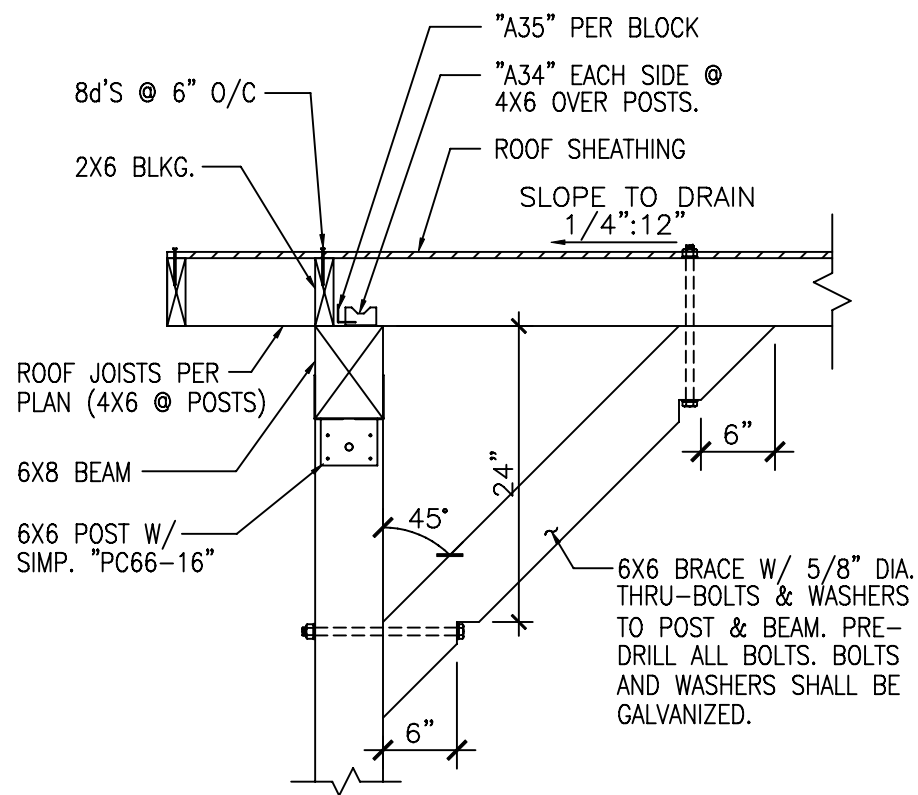
**CITY OF COACHELLA
BUILDING & SAFETY DIVISION
STANDARD STRUCTURAL
CARPORT PLANS**



ROOF FRAMING PLAN

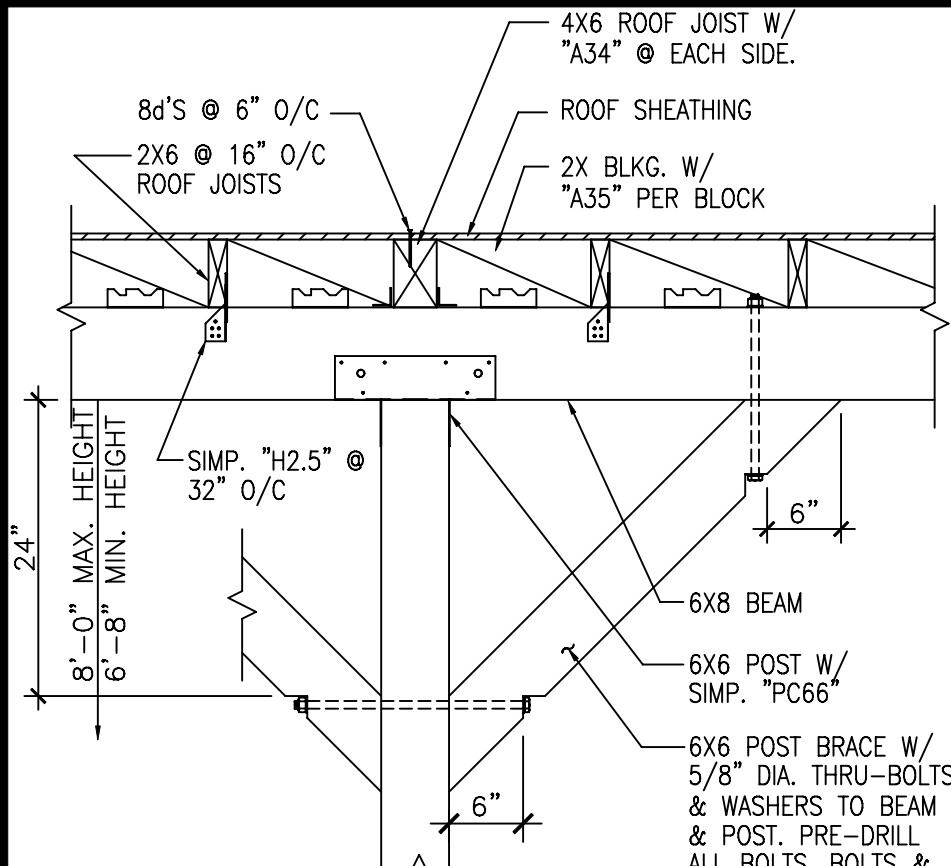


FOUNDATION PLAN



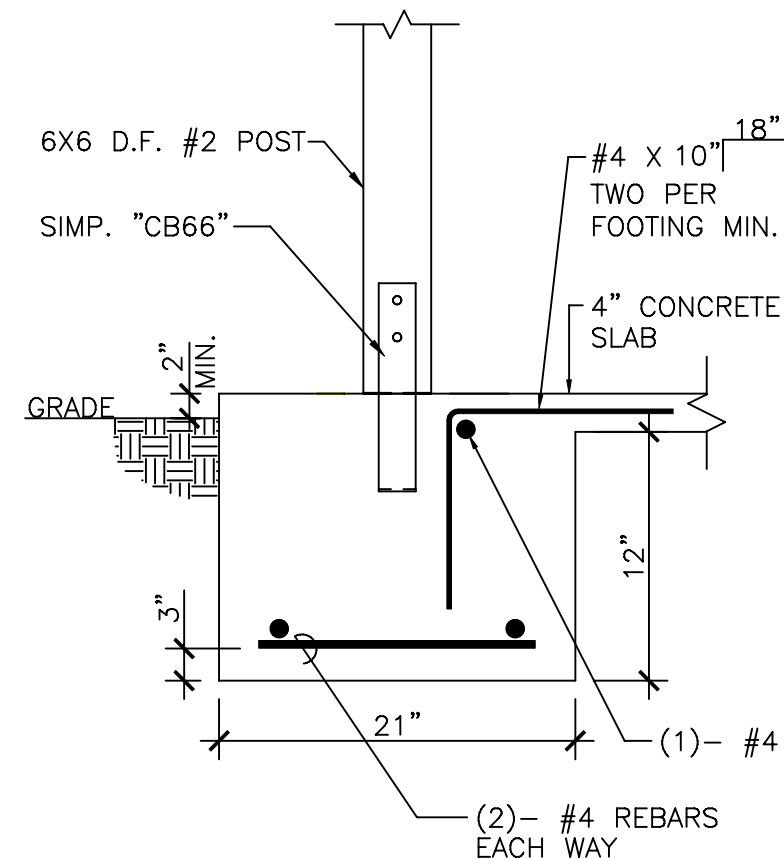
**TYPICAL AT ALL POSTS
(BEAM END VIEW)**

1



**TYPICAL BRACE DETAIL
(BEAM FACE VIEW)**

2



CONNECTION AT FOUNDATION

3

SCALE NONE

BK 08/2003
DRAWN DATE

REV. DATE APPR.

1		
2		
3		
4		
5		

**CARPORT
PLANS**

RSD-5.0

SHEET